

X700 Series
H.E.P.A. Filter
Vacuum
Air Operated

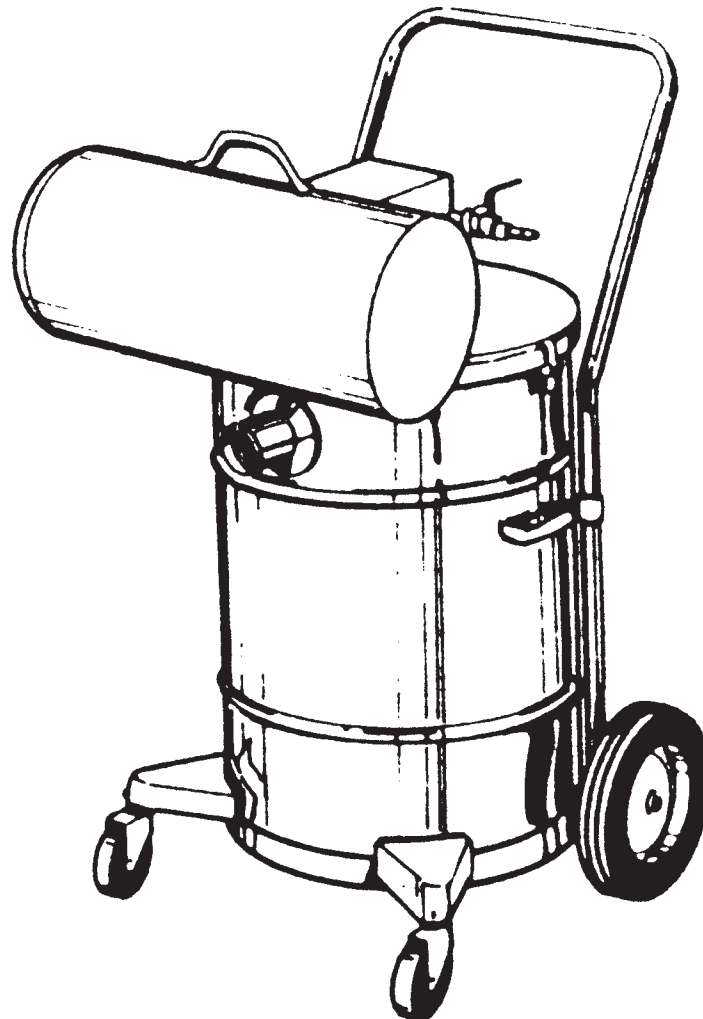
Model: C807015-01, 02
C807015-03, 04
C807015-05, 06

OPERATION

SERVICE

PARTS

CARE



Revised 6/02

Minuteman[®]

**MODEL X703-15 AIR OPERATED VACUUM. DRY RECOVERY ONLY.
EQUIPPED WITH H.E.P.A. FILTER 99.97% EFFICIENT AT 0.3 MICRONS.**

INSPECTION

Carefully unpack and inspect your machine for shipping damage. Each unit is tested and thoroughly inspected before shipment, therefore, any damage is the responsibility of the delivering carrier who should be notified. Read all instructions carefully before operating.

SPECIAL WARNING

Air operated equipment can generate static electricity during use. Static dissipating arcing can be generated and occur if equipment and accessories are not grounded. Risk of explosion is possible if operated near explosive materials or vapors. Do not operate this equipment near flammable materials such as solvents, thinners, fuels, grain dust, etc.

SPECIAL WARNING TO PURCHASER

Use of replacement filters and/or prefilters not manufactured by Hako Minuteman, Inc. or its designated licensees, will void all warranties expressed or implied. A potential health hazard exists without exact original equipment replacement.

AIR PRESSURE AND C.F.M. VOLUME REQUIRED

For maximum performance, operate with 1/2" air pressure line, 80 PSI (max. 100 PSI) and 37 input C.F.M. Air pressure control valve can be regulated to operate with lower pressure and C.F.M. when maximum is not required.

MAINTENANCE AND USAGE

Air supplied to vacuum must be clean and dry to avoid contamination in silencer and to maintain optimum performance.

Empty tank, clean filter bag and replace disposable filters regularly. Clogged filters restrict air flow and results in reduced vacuum performance.

Always shut off main air supply and open air valve at vacuum to relieve pressure before disconnecting air pressure line.

OPERATION AND FILTER CARE INSTRUCTIONS

Your Hako Minuteman vacuum has been specifically designed to clean up ultra fine hazardous toxic dust materials. Special filters reduce the incidence of air-borne dust that would be created by any other method of cleaning.

During the cleanup of toxic dry materials, do not sweep, scoop, shovel, or in any manner handle other than by vacuuming.

Do not at any time attempt to bypass, remove, substitute, or by any other means change the type of filters used in this vacuum. Use only approved Hako Minuteman vacuum filters and filter bags.

Before attempting to use and before cleaning, be certain you fully understand the instructions given for the setting up and cleaning/changing of filters of this vacuum.

Since each facility has its own individual and unique cleaning problems, it is suggested that you use the following guidelines in determining the length between filter changes or cleaning the vacuum tank. Do not allow the disposable collector bag or vacuum tank to become more than 1/4 full before emptying.

**Assembly Procedure for X703-15
(See Schematic on Page 3)**

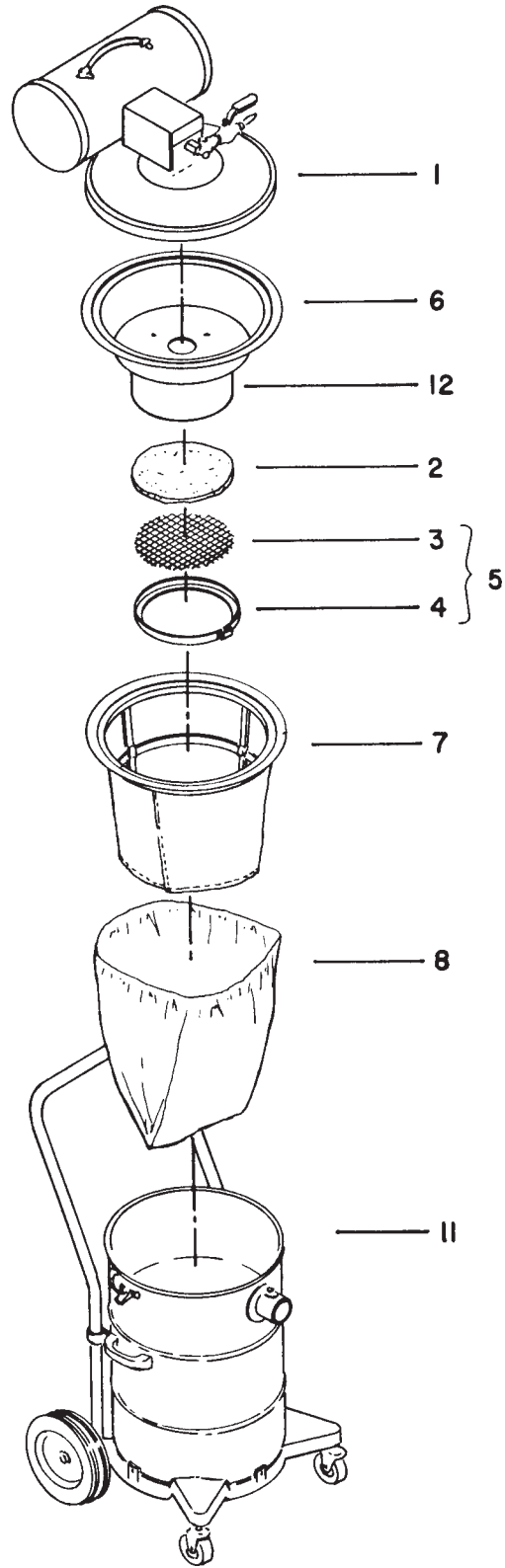
1. Take the paper filter protector #8 and insert into tank. Snap the elastic band around the rim of the tank. Allow two inches to overlap the tank rim.
2. Place cloth filter bag assembly #7 into tank. Center steel frame of filter around tank rim.
3. Turn H.E.P.A. filter module #6 upside down on work table. Center one pink impaction filter #2 onto H.E.P.A. filter #12. Place screen #3 over filter and lock clamp #4 onto filter.
4. Place assembled H.E.P.A. filter module #6, centered into cloth filter bag assembly #7, in tank.
5. Place vacuum lid assembly #1 onto tank #11, center and fasten lid latches.

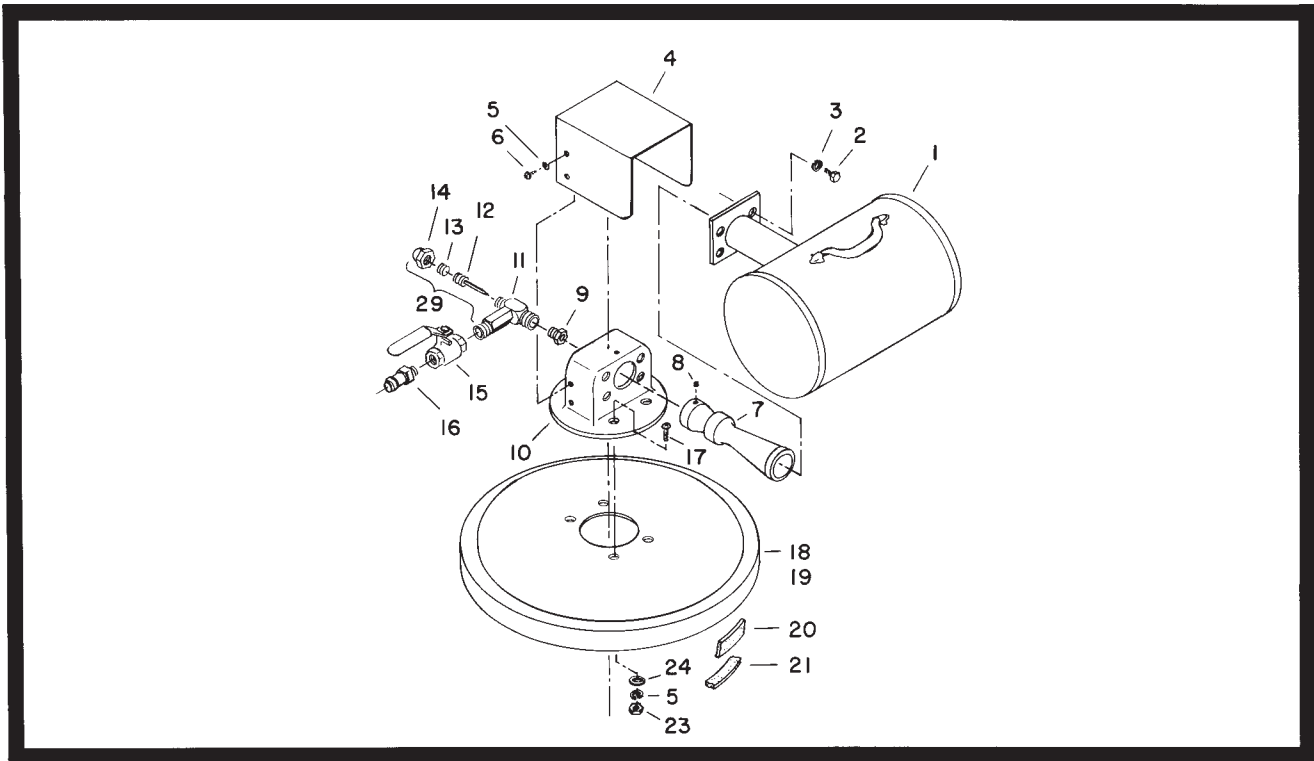
**PROCEDURE FOR REMOVING CONTAMINATED FILTERS AND
FOR CLEANING OF CONTAMINATED TANK FOR MODEL X703-15**

For the benefit of your health you should always wear a face mask and protective clothing approved and recommended by your Safety Department for the particular hazardous waste material you are working with. Check with your Safety Department or Industrial Hygienist for their instructions before attempting to clean out vacuum.

1. Shut off main air pressure valve feeding air to vacuum. Open air valve on vacuum lid to relieve pressure on line. If equipped with quick coupler, disconnect air pressure line.
2. Carefully and **very** slowly remove vacuum lid only. (Be sure you have not accidentally lifted the cloth filter bag at the same time.) Set lid assembly aside.
3. Lift out H.E.P.A. filter module #6. Turn upside down to check pink impaction filter #2. If impact filter shows discoloration due to dust penetration, remove and place in proper disposal container.
4. Visually check H.E.P.A. filter #12. If filter shows signs of dust penetration, revise cleaning and filter change procedure to be done more frequently. Be absolutely sure all filters and prefilters are always used and installed properly. Reassemble H.E.P.A. filter following step 3.
5. Remove cloth filter bag with bag frame. Check for residue on bag. If required, vacuum clean **only**, do not shake bag in open atmosphere.
6. Carefully undo the elastic band on the filter protector bag, fold in, and place this filter into proper disposal container.
7. Carefully empty contents of tank into proper container.
8. Using a wiping cloth dampened with water (not soaking wet), wipe down all the exposed surfaces inside the tank; put all wiping material into disposal container.
9. **CAUTION:** Hazardous materials must be disposed of properly. Never throw contaminated debris into your usual trash receptacle. Check with your Safety Department or Industrial Hygienist for final disposal requirements.
10. Follow assembly procedure for X703-15 as described above.

- 1. Lid asy. complete 750300
- 2. Impact filters pkg. of 12 703007PKG
- 5. Filter retainer incl. 3 & 4 750011
- 6. H.E.P.A. filter module complete 750604
- 6a. Replacement H.E.P.A. filter only 110001
- 7. Cloth bag asy. complete 805057
- 7a. Replacement gasket 805018
- 8. Disp. paper bags pkg. of 12 805038PKG
- 11. See page 6

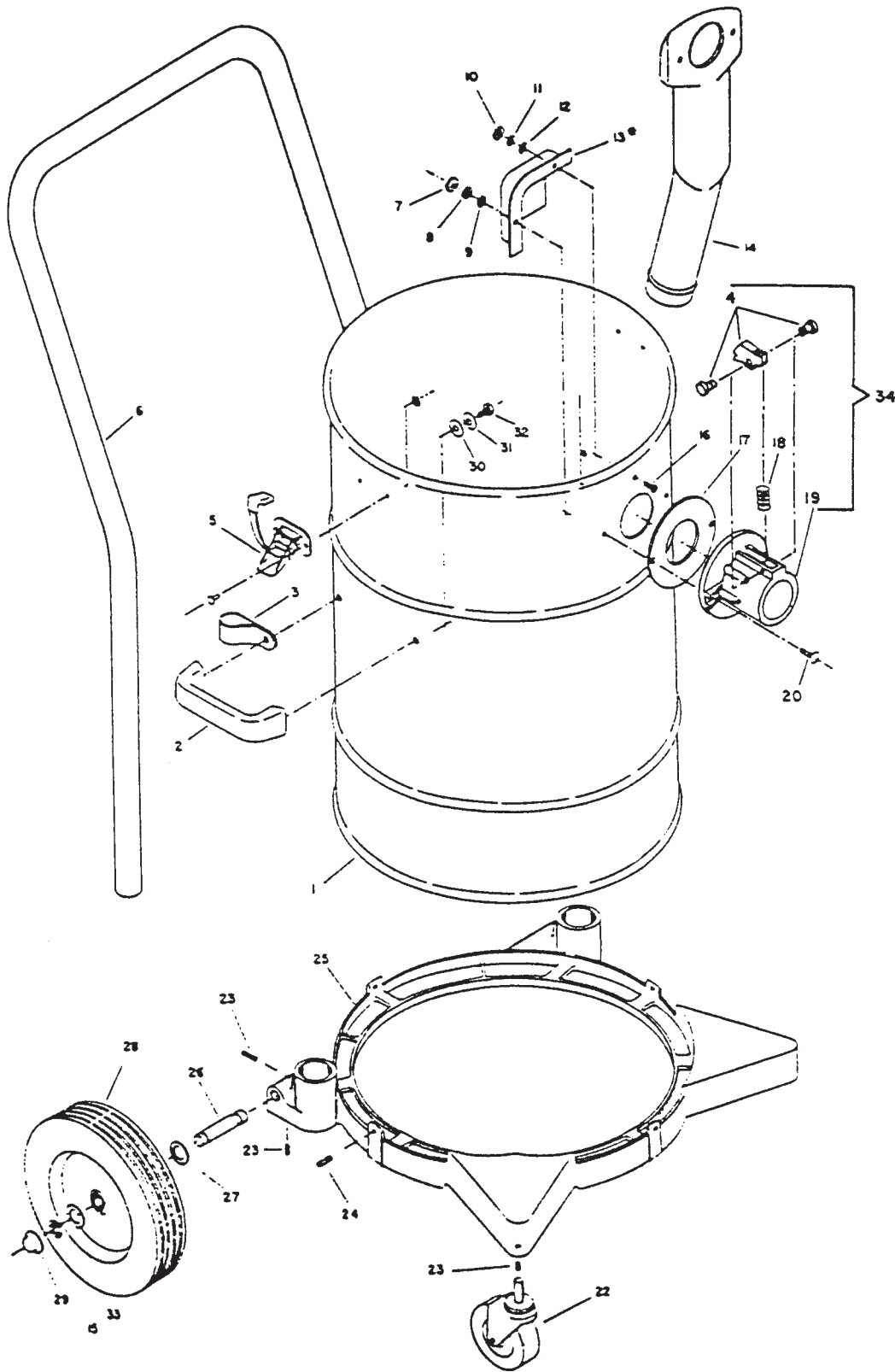




Parts Listings

ITEM NO.	PART NO.	QUANTITY	DESCRIPTION
1	703011	1	Muffler 700 series
2	711229	4	Bit-HH 5/16-18 x .87 ST
3	711545	4	WSR, Helical SPR LOC 5/16
4	700009	1	Cover
5	711543	5	WSR, Helical SPR LOC #10
6	710353	4	SCR-MC 10-32 x .37 ST PL
7	701006MCH	1	Horn, Venturi
8	711005	1	SCR-SK 1/4-20 x .31
9	701029	1	Orifice, Hex
10	701008	1	Housing
11	750653	1	Var. Orifice HSG Inlet Asy
12	750641	1	Needle Asy
13	711229	1	SCR-SK 3/8-24 x .25
14	711357	1	Nut-Acorn 5/8-11 ST PL
15	701009	1	Valve, .50
16	701010	1	Coupler, Male .50
17	710357	4	SCR-MC 10/32 x .75 ST PL
18	703001PTD	1	Lid only
19	750670	1	Lid Asy Inc 18, 20, 21
20	480053	1	Gasket
21	480052	1	Gasket
22	380044	1	Lid Gasket 4/6, 40"
23	711310	4	Nut-Hex 10-32 ST PL
24	711503	4	WSR, Flat #10
29	701007	1	Var Orifice Asy Inc 9, 11, 12, 13, 14
30	760112	1	Air Relief Valve

15 GALLON PAINTED/STAINLESS STEEL TANK WITH MOLDED INTAKE



Parts List

ITEM NO.	PART NO.	QTY.	DESCRIPTION
1	900001	1	Tank, PTD 15 gal.
1a	900003POL	1	Tank, Polished 15 Gal. SS
2	900031	1	Handle, Tank Polished
3	900038	2	Clamp, Handle
4	390001	1	Trigger with Pins
5	761054	2	Latch
6	900037PLT	1	Handle, Plated
7	711310	2	Nut-Hex 10-32 ST PL
8	711543	2	Washer-Helical #10
9	711503	2	Washer-Flat #10
10	711304	1	Nut-Hex 8-32 ST PL
11	711542	1	Washer-Helical #8
12	711502	1	Washer-Flat #8
13	900035	1	Deflector, Intake
14	390016	1	Molded Downtube, New Style
15	711713	2	Retaining Ring-E Ext.
16	710530	1	SCR-MC 8-32 x .5 BR
17	390087	1	Gasket
18	390002	1	Spring
19	390000	1	Molded Intake
20	710154	2	SCR-MC 10-32 x .562 SS
22	900033	2	Caster, Swivel
23	711005	4	SCR-SK 1/4-20 x .31
24	711006	6	SCR-SK 1/4-20 x .62
25	760984PTD	1	Bracket, Wheel
26	900066	2	Axle
27	711524	2	Washer-Wave .52 x .87 x .01
28	900040	2	Wheel
29	130032	2	Cap, Retainer
30	711591	4	Washer-Rubber
31	711505	4	Washer-Flat
32	711203	4	Bolt-HH 1/4-20 x .62
33	711594	2	Washer-Flat .88 x .03 NI
34	390100	1	Molded Intake Complete
***	390012		Molded Adapter 1-1/4
***	390015		Molded Adapter 1-1/2
***	390020		Molded Adapter 2.00
***	750220		Tank Assy. Comp. 15 Gal. PTD Asbestos
***	750221		Tank Assy. Comp. 15 Gal. SS Asbestos
***	750322		Wheel Bracket Assy. Complete
***	750381		Tank Assy. Comp. PTD w/Deflector
***	750382		Tank Assy. Comp. SS w/Deflector

LIMITED WARRANTY

Minuteman International, Inc. warrants to the original purchaser/user that this product is free from defects in workmanship and materials under normal use and service for a period of three years from date of purchase. In addition, Minuteman International, Inc. will, at its option, honor labor warranty claims for the first 12 months from date of sale, provided such claims are submitted through and approved by factory authorized repair stations. Minuteman International, Inc. will, at its option, repair or replace without charge, except for transportation costs, parts that fail under normal use and service when operated and maintained in accordance with the applicable operation and instruction manuals.

This warranty does not apply to normal wear, or to items whose life is dependent on their use and care, such as belts, cords, switches, hoses, rubber parts, electrical motor components or adjustments. Parts not manufactured by Minuteman International, Inc. such as engines, batteries, battery chargers, hydraulic pumps, and tires are covered by and subject to the warranties and/or guarantees of their manufacturers. Please contact Minuteman International, Inc. for procedures in warranty claims against these manufacturers.

Special warning to purchaser — Use of replacement filters and/or prefilters not manufactured by Minuteman International, Inc. or its designated licensees, will void all warranties expressed or implied.

A potential health hazard exists without exact original equipment replacement.

All warranted items become the sole property of Minuteman International, Inc. or its original manufacturer, whichever the case may be.

Minuteman International, Inc. disclaims any implied warranty, including the warranty of merchantability and the warranty of fitness for a particular purpose. Minuteman International, Inc. assumes no responsibility for any special, incidental or consequential damages.

This limited warranty is applicable only in the U.S.A. and Canada, and is extended only to the original user/purchaser of this product. Customers outside the U.S.A. and Canada should contact their local distributor for export warranty policies. Minuteman International, Inc. is not responsible for costs or repairs performed by persons other than those specifically authorized by Minuteman International, Inc. This warranty does not apply to damage from transportation, alterations by unauthorized persons, misuse or abuse of the equipment, use of non-compatible chemicals, or damage to property, or loss of income due to malfunctions of the product.

If a difficulty develops with this machine, you should contact the dealer from whom it was purchased.

This warranty gives you specific legal rights, and you may have other rights which vary from state to state. Some states do not allow the exclusion or limitation of special, incidental or consequential damages, or limitations on how long an implied warranty lasts, so the above exclusions and limitations may not apply to you.

Minuteman[®]

World Headquarters
Minuteman International, Inc.
111 South Rohlwing Road
Addison, Illinois 60101

Minuteman Canada, Inc.
2210 Drew Road
Mississauga, Ontario
L5S 1B1

(630) 627-6900
FAX (630) 627-1130

(905) 673-3222
FAX (905) 673-5161

987808
Printed in U.S.A.